



特殊銅合金系

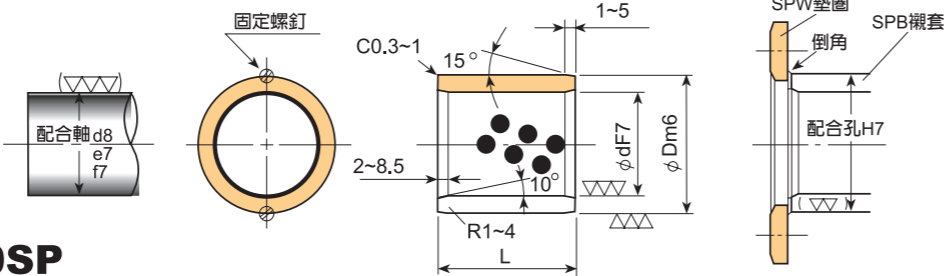


運動方向



自潤#500SP
襯套(SPB)

迴轉(搖擺)·往復運動用



● 配合軸 d8 : 一般用(高負荷)
e7 : 一般用(輕負荷)
f7 : 高精度用

● 若承受軸向負荷時須配合
SPW 組合使用。

使用注意事項

- 自潤#500SP 襯套 (SPB) 在迴轉, 搖擺及往復運動均可使用。
- 若承受軸向荷重時, 請配合自潤#500SP 墊圈 (SPW) 組合使用。
- 請避免在水中使用。
- 內徑 31.5mm 在油壓缸中間耳軸 (trunnion) 襯套。

※ 特殊規格尺寸亦可訂製。
※ 特殊條件及場所之使用請另洽本公司。

訂購型號
SPB-○○ ○○ ○○
內徑 外徑 長度

軸徑 區分	寸法 (mm)		長度 L 公差 0.3											長度 L 公差 0.1											內徑	外徑	適用 墊圈 SPW	
	內徑 ∅d 公差	外徑 ∅D 公差	8	10	12	15	16	20	25	30	35	40	50	60	70	80	100	120	130	140	150							
8	8 +0.028 / +0.013	12 +0.018 / +0.007	-081208	-081210	-081212	-081215																	8	12	—			
10	10 "	14 "	-101408	-101410	-101412	-101415					-101420												10	14	-1003			
12	12 +0.034 / +0.016	18 "	-121808	-121810	-121812	-121815	-121816	-121820	-121825	-121830													12	18	-1203			
13	13 "	19 +0.021 / +0.008		-131910	-131912	-131915				-131920													13	19	-1303			
14	14 "	20 "		-142010	-142012	-142015				-142020	-142025	-142030											14	20	-1403			
15	15 "	21 "		-152110	-152112	-152115	-152116	-152120	-152125	-152130													15	21	-1503			
16	16 "	22 "		-162210	-162212	-162215	-162216	-162220	-162225	-162230	-162235												16	22	-1603			
18	18 "	24 "			-182412	-182415	-182416	-182420	-182425	-182430													18	24	-1803			
20	20 +0.041 / +0.020	28 "		-202810	-202812	-202815	-202816	-202820	-202825	-202830	-202835			-202840	-202850								20	28	-2005			
	20 "	30 "					-203016	-203020	-203025	-203030	-203035			-203040									20	30	"			
25	25 "	33 +0.025 / +0.009			-253312	-253315	-253316	-253320	-253325	-253330	-253335			-253340	-253350	-253360							25	33	-2505			
	25 "	35 "			-253512	-253515	-253516	-253520	-253525	-253530	-253535			-253540	-253550								25	35	"			
30	30 "	38 "			-303812	-303815		-303820	-303825	-303830	-303835			-303840	-303850	-303860							30	38	-3005			
	30 "	40 "			-304012	-304015		-304020	-304025	-304030	-304035			-304040	-304050	-304060							30	40	"			
31.5	31.5 +0.050 / +0.025	40 "								-314030			-314040									31.5	40	—				
	35 "	44 "							-354425	-354430	-354435			-354440	-354450	-354460							35	44	-3505			
35	35 "	45 "						-354520	-354525	-354530	-354535			-354540	-354550	-354560							35	45	"			
40	40 "	50 "				-405015		-405020	-405025	-405030	-405035			-405040	-405050	-405060	-405070	-405080						40	50	-4007		
	40 "	55 +0.030 / +0.011								-405530	-405535			-405540	-405550	-405560							40	55	"			
45	45 "	55 "								-455530	-455535			-455540	-455550	-455560							45	55	-4507			
45	45 "	56 "								-455630	-455635			-455640	-455650	-455660							45	56	"			
45	45 "	60 "								-456030	-456035			-456040	-456050	-456060	-456070	-456080						45	60	"		
50	50 "	60 "						-506020		-506030	-506035			-506040	-506050	-506060	-506070	-506080						50	60	-5008		
50	50 "	62 "								-506230	-506235			-506240	-506250	-506260	-506270						50	62	"			
50	50 "	65 "								-506530			-506540	-506550	-506560	-506570	-506580	-5065100						50	65	"		
55	55 +0.060 / +0.030	70 "								-557030	-557035			-557040	-557050	-557060	-557070						55	70	-5508			
60	60 "	74 "								-607430	-607435			-607440	-607450	-607460	-607470	-607480						60	74	-6008		
60	60 "	75 "								-607530	-607535			-607540	-607550	-607560	-607570	-607580	-6075100						60	75	"	
63	63 "	75 "													-637560	-637570	-637580						63	75	—			
65	65 "	80 "												-658040	-658050	-658060	-658070	-658080						65	80	-6508		
70	70 "	85 +0.035 / +0.013								-708530	-708535			-708540	-708550	-708560	-708570	-708580	-7085100						70	85	-7010	
	70 "	90 "												-709050	-709060	-709070	-709080						70	90	"			
75	75 "	90 "												-759050	-759060	-759070	-759080	-7590100						75	90	-7510		
	75 "	95 "													-759560	-759570	-759580	-7595100						75	95	"		
80	80 "	96 "												-809640	-809650	-809660	-809670	-809680	-8096100	-8096120						80	96	-8010
	80 "	100 "												-8010040	-8010050	-8010060	-8010070	-8010080	-80100100	-80100120	-80100140				80	100	"	
90	90 +0.071 / +0.036	110 "												-9011050	-9011060		-9011080	-90110100	-90110120						90	110	-9010	
100	100 "	120 "												-10012050	-10012060	-10012070	-10012080	-100120100	-100120120	-100120140						100	120	-10010
110	110 "	130 +0.040 / +0.015												-11013050		-11013070	-11013080	-110130100	-110130120						110	130	—	
120	120 "	140 "														-12014070	-12014080	-120140100	-120140120	-120140140						120	140	-12010
125	125 +0.083 / +0.043	145 "																-125145100	-125145120						125	145	—	
130	130 "	150 "																-13015080	-130150100	-130150130						130	150	—
140	140 "	160 "																-140160100		-140160140				140	160	—		
150	150 "	170 "																-15017080	-150170100			-150170150			150	170	—	
160	160 "	180 "																-16018080	-160180100			-160180150			160	180	—	

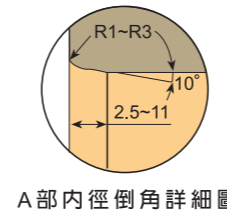
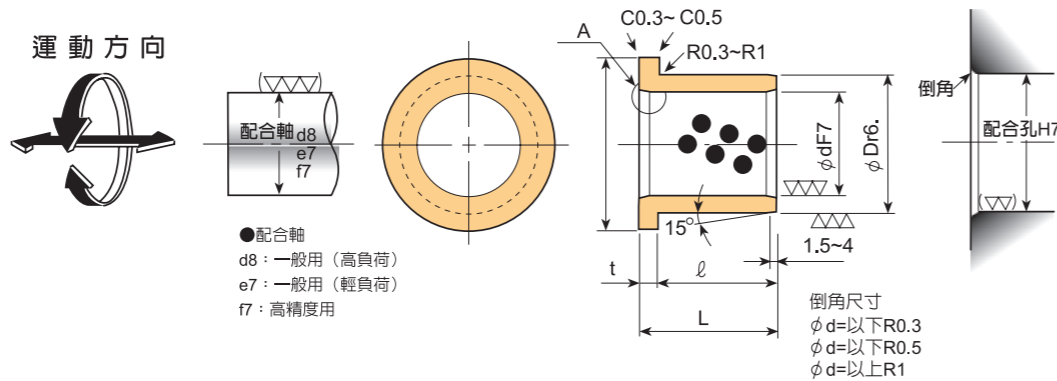


特殊銅合金系



自潤 #500SP
襯套 (SPF)

迴轉 (搖擺) · 往復運動用



A部內徑倒角詳細圖

訂購型號
SPF-
 內徑 長度

使用注意事項

- 自潤 #500SP 襯套 (SPF) 在迴轉，搖擺及往復運動均可使用。
- 請注意凸緣部無固體潤滑劑。
- 請避免在水中使用。
- 內徑 31.5mm 在油壓缸中間耳軸 (trunnion) 襯套。

※ 特殊規格尺寸亦可訂製。
※ 特殊條件及場所之使用請另洽本公司。

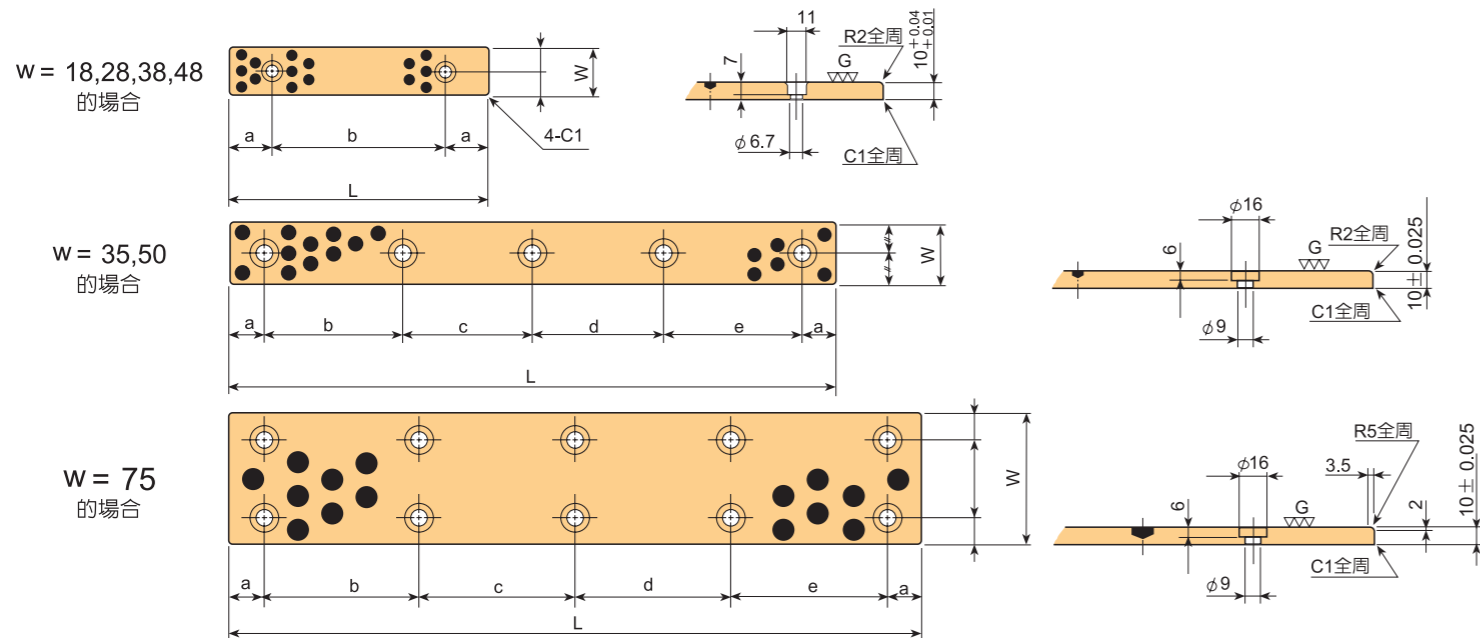
軸徑 區分	尺 寸 (mm)						長 度 L					長 度 L					內 徑	外 徑			
	內徑		外徑		凸 緣		10	15	20	25	30	35	40	50	60	67.5			80	100	
	∅d	公差	∅D	公差	徑∅F	厚度	公差	SPF	SPF	SPF	SPF	SPF	SPF	SPF	SPF	SPF			SPF	SPF	
10	10	+0.040 ±0.025	14	+0.034 +0.023	22	2	0 -0.1	-1010	-1015	-1020										10	14
12	12	+0.050 +0.032	18	"	25	3	"	-1210	-1215	-1220	-1225	-1230								12	18
13	13	"	19	+0.041 +0.028	26	"	"		-1315	-1320										13	19
14	14	"	20	"	27	"	"		-1415	-1420	-1425									14	20
15	15	"	21	"	28	"	"	-1510	-1515	-1520	-1525	-1530								15	21
16	16	"	22	"	29	"	"		-1615	-1620	-1625	-1630	-1635		-1640					16	22
20	20	+0.061 +0.040	30	"	40	5	"		-2015	-2020	-2025	-2030		-2040						20	30
25	25	"	35	+0.050 +0.034	45	"	"		-2515	-2520	-2525	-2530	-2535		-2540	-2550				25	35
30	30	"	40	"	50	"	"			-3020	-3025	-3030	-3035		-3040	-3050				30	40
31.5	31.5	+0.075 +0.050	40	"	"	"	"			-3120		-3130	-3135		-3140					31.5	40
35	35	"	45	"	60	"	"			-3520	-3525	-3530	-3535		-3540	-3550				35	45
40	40	"	50	"	65	"	"			-4020	-4025	-4030	-4035		-4040	-4050				40	50
45	45	"	55	+0.073 +0.041	70	"	"					-4530	-4535		-4540	-4550	-4560			45	55
50	50	"	60	"	75	"	"					-5030	-5035		-5040	-5050	-5060			50	60
55	55	+0.090 +0.060	65	"	80	"	"								-5540		-5560			55	65
60	60	"	75	+0.062 +0.043	90	7.5	"							-6040	-6050	-6060		-6080		60	75
63	63	"	75	"	85	"	"										-6367			63	75
70	70	"	85	+0.083 +0.051	105	"	"							-7050				-7080		70	85
75	75	"	90	"	110	"	"									-7560				75	90
80	80	"	100	"	120	10	"									-8060		-8080	-80100	80	100
90	90	+0.107 +0.072	110	+0.076 +0.054	130	"	"							-9060			-9080			90	110
100	100	"	120	"	150	"	"											-10080	-100100	100	120
120	120	"	140	+0.088 +0.063	170	"	"											-12080	-120100	120	140



特殊銅合金系

平面型自潤軸承
平面耐磨板 (SFP) (#500SP)
厚度: 10mm

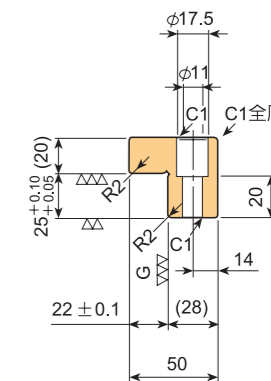
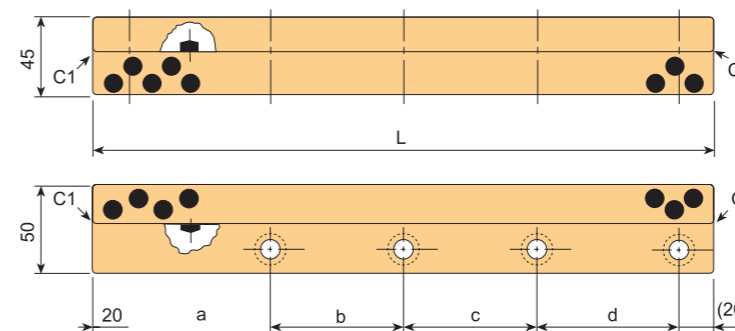
訂購型號
SFP-○○ ○○
寬度 長度



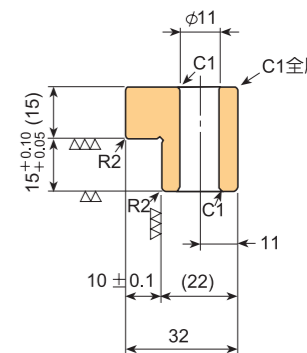
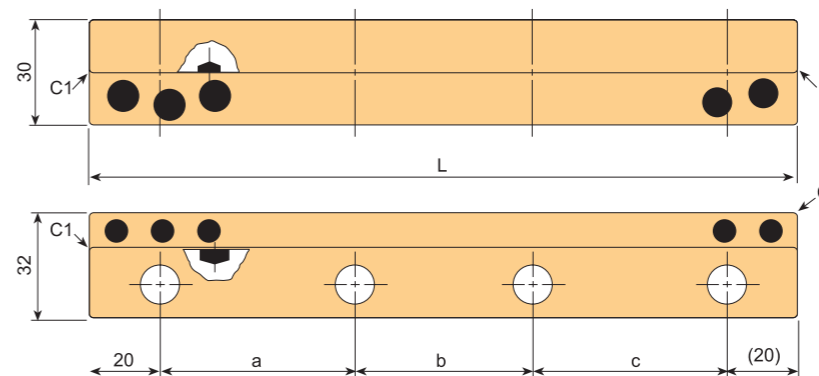
型號	寬度 長度		裝配孔之孔距					裝配螺栓	
	W	L	a	b	c	d	e	螺栓規格	個數
SFP-1875	18	75	15	45				M6六角承蓋螺栓	2
SFP-18100	"	100	25	50				"	2
SFP-18125	"	125	25	75				"	2
SFP-18150	"	150	25	100				"	2
SFP-2875	28	75	15	45				"	2
SFP-28100	"	100	25	50				"	2
SFP-28125	"	125	25	75				"	2
SFP-28150	"	150	25	100				"	2
SFP-35100	35	100	20	60				M8平頭小螺釘	2
SFP-35150	"	150	20	55	55			"	3
SFP-35200	"	200	20	55	50	55		"	4
SFP-35250	"	250	20	70	70	70		"	4
SFP-35300	"	300	20	65	65	65	65	"	5
SFP-35350	"	350	20	80	75	75	80	"	5
SFP-3875	38	75	15	45				M6六角承蓋螺栓	2
SFP-38100	"	100	25	50				"	2
SFP-38125	"	125	25	75				"	2
SFP-38150	"	150	25	100				"	2
SFP-4875	48	75	15	45				"	2
SFP-48100	"	100	25	50				"	2
SFP-48125	"	125	25	75				"	2
SFP-48150	"	150	25	100				"	2
SFP-50100	50	100	20	60				M8平頭小螺釘	2
SFP-50150	"	150	20	55	55			"	3
SFP-50200	"	200	20	55	50	55		"	4
SFP-50250	"	250	20	70	70	70		"	4
SFP-50300	"	300	20	65	65	65	65	"	5
SFP-50400	"	400	20	90	90	90	90	"	5
SFP-75150	75	150	20	110				"	4
SFP-75200	"	200	20	80	80			"	6
SFP-75250	"	250	20	105	105			"	6
SFP-75300	"	300	20	85	90	85		"	8
SFP-75400	"	400	20	120	120	120		"	8
SFP-75500	"	500	20	115	115	115	115	"	10

平面型自潤軸承
L型耐磨板 (SLP) (#500SP)

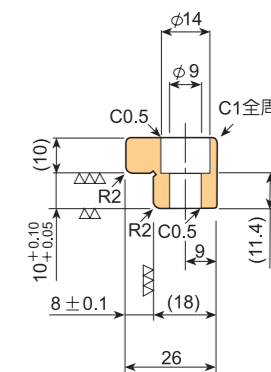
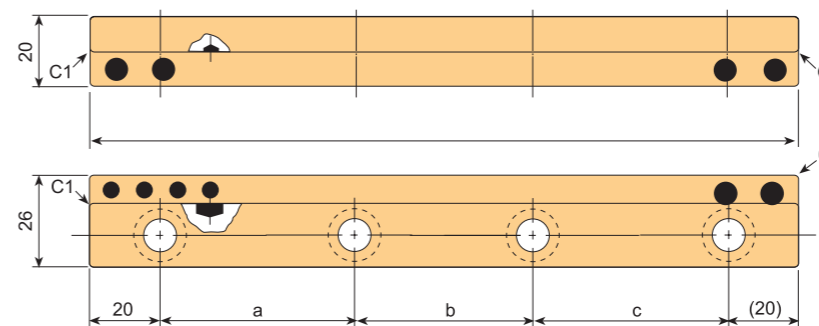
A型



B型



C型



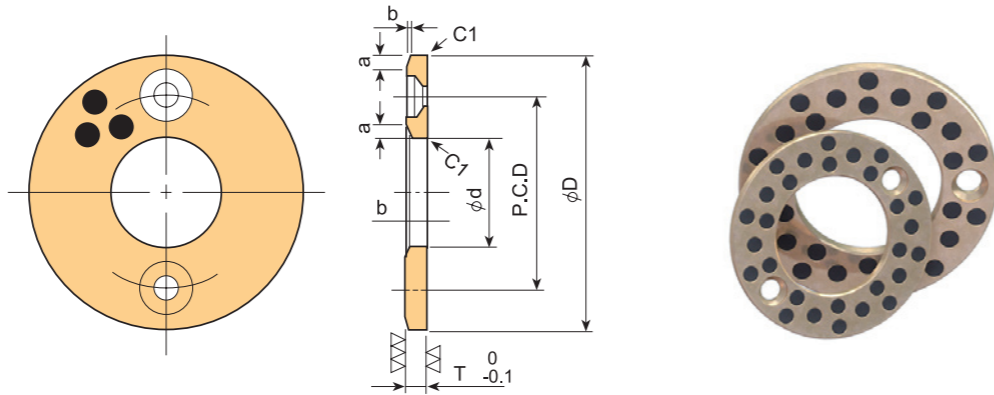
型號	形狀	長度		裝配孔之孔距			裝配螺栓	
		L	a	b	c	d	螺栓規格	個數
SLP-26100C	C型	100	60				M8	2
SLP-26150C	"	150	55	55			"	3
SLP-26200C	"	200	55	50	55		"	4
SLP-32100B	B型	100	60				M10	2
SLP-32150B	"	150	55	55			"	3
SLP-32200B	"	200	55	50	55		"	4
SLP-32250B	"	250	70	70	70		"	4
SLP-50200A	A型	200	55	50	55		"	4
SLP-50250A	"	250	70	70	70		"	4
SLP-50300A	"	300	65	65	65	65	"	5
SLP-50350A	"	350	80	75	75	80	"	5





特殊銅合金系

訂購型號
SPW-○○ ○○
內徑 厚度



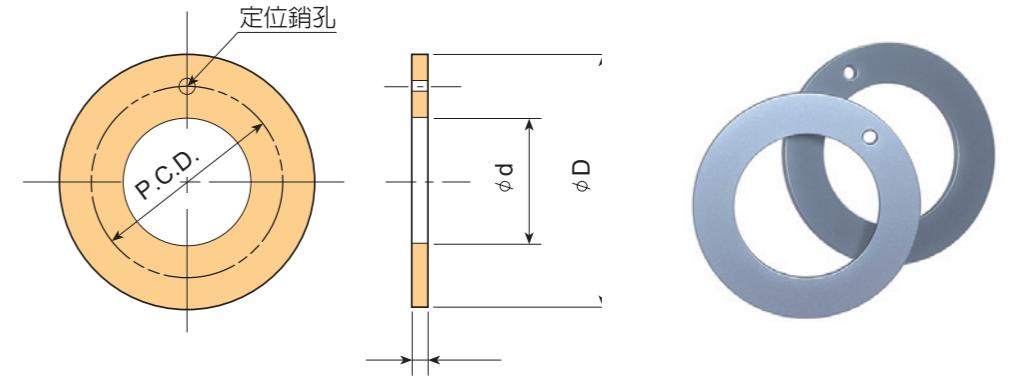
自潤 #500SP
止推墊圈 (SPW)

尺寸 (mm)		厚度T					公差 ± 0.1			裝配孔		倒角			
內徑 ϕd	外徑 ϕD	3	5	7	8	10	P.C.D	個數	使用埋頭螺絲	a	b				
10.2	30	-1003					20	2	M3	1.5	0.3				
12.2	40	-1203					28	"	"	2	0.4				
12.2	40	-1203N					無埋頭螺絲孔								
13.2	40	-1303					28	2	M3	"	"				
14.2	40	-1403					"	"	"	"	"				
15.2	50	-1503					35	"	"	"	"				
16.2	50	-1603					"	"	"	"	"				
16.2	50	-1603N					無埋頭螺絲孔								
18.2	50	-1803					35	2	M3	"	"				
20.2	50	-2005					"	"	M5	2.5	"				
25.2	55	-2505					40	"	"	"	"				
30.2	60	-3005					45	"	"	"	"				
35.2	70	-3505					50	"	"	"	"				
40.2	80	-4007					60	"	M6	3	0.5				
45.2	90	-4507					70	"	"	"	"				
50.3	100	-5008					75	4	"	4	0.6				
55.3	110	-5508					85	"	"	"	"				
60.3	120	-6008					90	"	M8	5	0.8				
65.3	125	-6508					95	"	"	"	"				
70.3	130	-7010					100	"	"	"	"				
75.3	140	-7510					110	"	"	"	"				
80.3	150	-8010					120	"	"	"	"				
90.5	170	-9010					140	"	M10	"	"				
100.5	190	-10010					160	"	"	"	"				
120.5	200	-12010					175	"	"	"	"				

- 請參考SPB組配。
- 可與SPB合併使用。

添加鐵弗龍系

訂購型號
LFW-○○ ○○
內徑 厚度

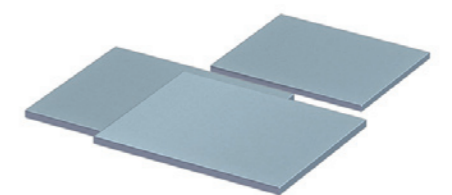


自潤 DRYMET LF
墊圈 (LFW)

尺寸 (mm)				裝配孔			
內徑		外徑		厚度 T		定位銷	
ϕd	公差	ϕD	公差	1.5 公差 ± 0.03 -0.08	2.0 公差 ± 0.03 -0.08	穴徑	公差
8	$+0.25$ 0	16	0 -0.25	LFW-0815		1	$+0.30$ $+0.10$
10	"	18	"	LFW-1015		"	14
12	"	24	"	LFW-1215		1.5	$+0.375$ $+0.125$
14	"	26	"	LFW-1415		2	"
16	"	30	"	LFW-1615		"	23
18	"	32	"	LFW-1815		"	25
20	"	36	"	LFW-2015		3	28
22	"	38	"	LFW-2215		"	30
24	"	42	"	LFW-2415		"	33
26	"	44	"	LFW-2615		"	35
28	"	48	"	LFW-2815		4	38
32	"	54	"	LFW-3215		"	43
38	"	62	"	LFW-3815		"	50
42	"	66	"	LFW-4215		"	54
48	"	74	"	LFW-4820		"	61
52	"	78	"	LFW-5220		"	65
62	"	90	"	LFW-6220		"	76

自潤 DRYMET LF
平板 (LFP)

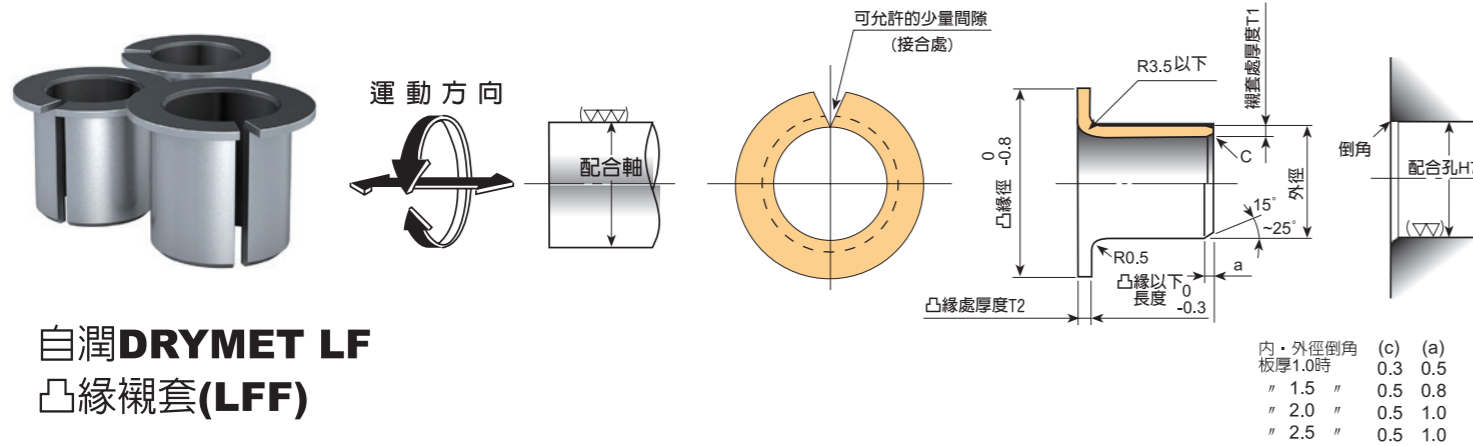
訂購型號
LFP-○○ ○○
厚度 寬度



尺寸 (mm)		厚度			
寬度	長度	1.0 公差 ± 0.03 -0.13	1.5 公差 ± 0.03 -0.13	2.0 公差 ± 0.03 -0.13	2.5 公差 ± 0.03 -0.13
		80	500	LFP-1080	
90	500	LFP-1590			
100	500	LFP-20100			
100	500	LFP-25100			



添加鐵弗龍系



訂購型號
LFF-○○ ○○
內徑 凸緣以下
長度

使用注意事項

- 自潤 DRYMET LF 的接合處，不影響軸的迴轉，但壓入時請避免其承受最大負荷。
- 產品全部為常置在庫品。

自潤 DRYMET LF
凸緣襯套(LFF)

襯套尺寸			推介尺寸 (mm)				各部厚度		凸緣以下長度 L 公差 _{-0.3}					凸緣以下長度 L 公差 _{-0.3}					內徑	外徑				
內徑 ∅d	外徑 ∅D	凸緣 ∅F	配合軸		配合孔		襯套部 T1	凸緣部 T2	3	4	5	6	7	8	10	12	15	20			25	30	40	
			尺寸	公差	尺寸	公差H7			LFF	LFF	LFF	LFF	LFF	LFF	LFF	LFF	LFF	LFF	LFF	LFF	LFF	LFF		
3	4.6	7	3	-0.025 -0.034	4.6	+0.012 0	0.8	-0.025	0.8	-0.15	-0303	-0305											3	4.6
4	5.6	9	4	-0.025 -0.037	5.6	"	"	"		"	-0404	-0406											4	5.6
5	7	10	5	"	7	+0.015 0	1.0	0 -0.025	1.0	0 -0.15	-0504	-0505	-0506										5	7
6	8	12	6	"	8	"	"	"		"	-0605	-0606	-0607	-0608									6	8
7	9	13	7	-0.025 -0.040	9	"	"	"		"	-0705	-0707											7	9
8	10	15	8	"	10	"	"	"		"	-0806	-0808	-0810										8	10
9	11	16	9	"	11	+0.018 0	"	"		"	-0910												9	11
10	12	18	10	"	12	"	"	"		"	-1006	-1007	-1008	-1010	-1012	-1015							10	12
12	14	20	12	-0.025 -0.043	14	"	"	"		"	-1206	-1207	-1208	-1210	-1212	-1215							12	14
13	15	21	13	"	15	"	"	"		"	-1310	-1315											13	15
14	16	22	14	"	16	"	"	"		"	-1410	-1412	-1415										14	16
15	17	23	15	"	17	"	"	"		"	-1510	-1512	-1515	-1520									15	17
16	18	24	16	"	18	"	"	"		"	-1610	-1615	-1620										16	18
18	20	26	18	"	20	+0.021 0	"	"		"	-1810	-1812	-1815	-1820									18	20
20	23	31	20	-0.025 -0.046	23	"	1.5	0 -0.030	1.5	0 -0.15	-2010	-2012	-2015	-2020	-2025								20	23
22	25	33	22	"	25	"	"	"		"	-2210	-2212	-2215	-2220									22	25
24	27	35	24	"	27	"	"	"		"	-2415	-2420	-2425										24	27
25	28	36	25	"	28	"	"	"		"	-2510	-2512	-2515	-2520	-2525								25	28
26	30	38	26	"	30	"	2.0	0 -0.030	2.0	0 -0.15	-2615	-2620											26	30
28	32	40	28	"	32	+0.025 0	"	"		"	-2812	-2815	-2820										28	32
30	34	42	30	"	34	"	"	"		"	-3012	-3015	-3020	-3025	-3030								30	34
31	35	45	31	-0.025 -0.050	35	"	"	"		"	-3125												31	35
32	36	46	32	"	36	"	"	"		"	-3220	-3225	-3230										32	36
35	39	49	35	"	39	"	"	"		"	-3512	-3520	-3525	-3530	-3540								35	39
38	42	52	38	"	42	"	"	"		"	-3820												38	42
40	44	54	40	"	44	"	"	"		"	-4012	-4020	-4025	-4030	-4040								40	44
45	50	60	45	"	50	"	2.5	0 -0.040	2.0	0 -0.15	-4520	-4525	-4530	-4540									45	50
50	55	65	50	"	55	+0.030 0	"	"		"	-5020												50	55
55	60	70	55	-0.025 -0.055	60	"	"	"		"	-5530	-5540											55	60
60	65	75	60	"	65	"	"	"		"	-6030	-6040											60	65